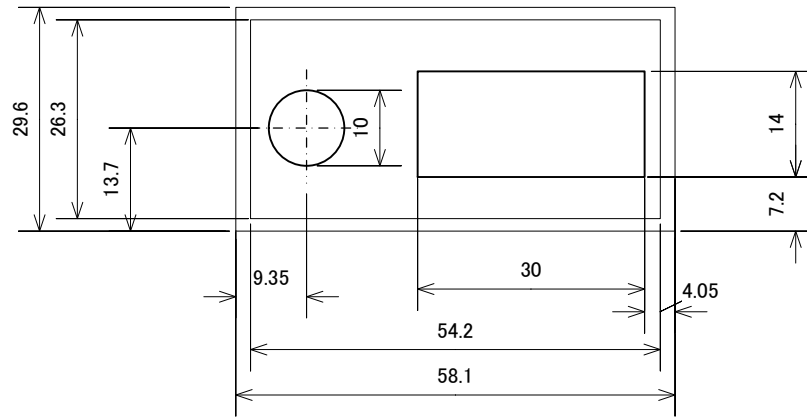




| item | quantity | type | manufacturer |
|------|----------|------|--------------|
| | | | |
| | | | |
| | | | |
| | | | |
| | | | |

| rev. | discription | date | drawn |
|-------|---------------|--------|--------|
| first | first edition | 15/8/6 | sugita |
| | | | |
| | | | |
| | | | |
| | | | |



| | | | | | |
|--|---|---------------|-------------|----------|------|
|  テクノベインズ株式会社 Techno Veins Co.,Ltd. | | title | | | |
| | | panel drawing | | | |
| unit |  | size | FSCM number | DWG. No. | Rev. |
| mm | | A4 | | E-0112 | |
| File name | date | scale | sheet | | |
| | 2015/8/6 | 1:1 | 1 / 1 | | |
| drawing | | | | | |
| Sugita | | | | | |